

MICRO SWITCH
a Honeywell Division

SWITCH - ENCLOSED

CATALOG LISTING
BZE6-2RN2

FED. MFG. CODE 91929

CATALOG LISTING
BZE6-2RN2

ISSUE
M
13

REPLACES
PAGE 1 OF 1

REVISIONS

A	CO-73738	5 OCT 92
B	CO-73655	21 APR 93
C	CO-77179A	17 FEB 94
D	CO8151E	

CHECK
JAK
25 FEB 97

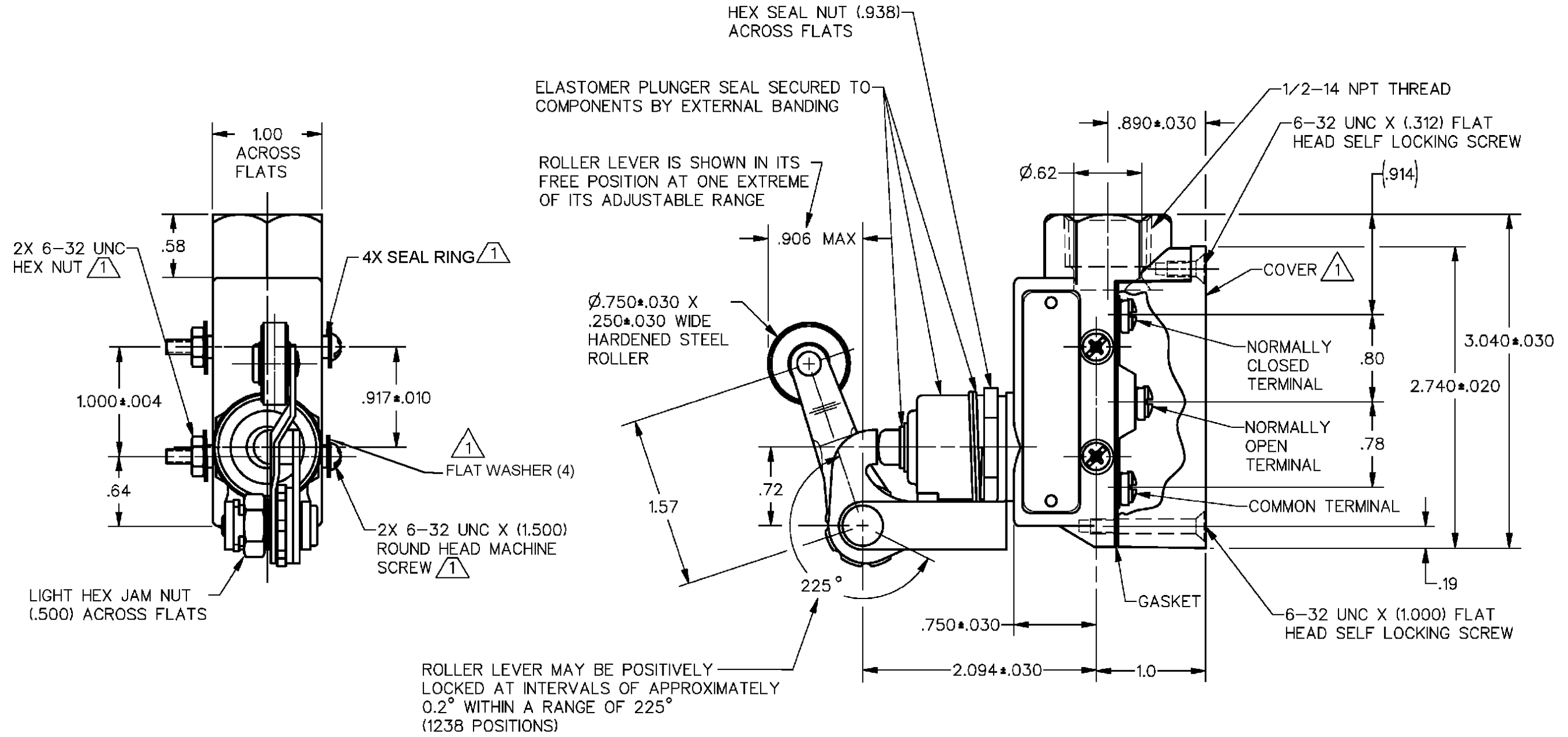
CHECK
VJR
23 NOV 05

CHECK
BP

CHECK
SAV

CHECK
5 OCT 92

DDM/CAD
DRAWN



THIS DRAWING COVERS A PROPRIETARY ITEM AND IS THE PROPERTY OF MICRO SWITCH, A DIVISION OF HONEYWELL. THIS DRAWING IS NOT TO BE COPIED OR USED WITHOUT THE APPROVAL OF MICRO SWITCH		THIRD ANGLE PROJECTION
CHARACTERISTICS		SCALE FULL
OPERATING FORCE ———— 10-20 OZ	ELECTRICAL DATA	DO NOT SCALE PRINT
RELEASE FORCE ———— 6 OZ MIN	CONTACT ARRANGEMENT	UNLESS OTHERWISE SPECIFIED TOLERANCES ARE
PRETRAVEL ———— .188 MAX	S P D T	ONE PLACE (.0) ± .030
DIFFERENTIAL TRAVEL ———— .006 MAX	L74 15A 125, 250 OR 480 VAC	TWO PLACE (.00) ± .015
OVERTRAVEL ———— .219 MIN	2A 600 VAC	THREE PLACE (.000) ± .005
BASIC SWITCH REPLACEMENT ——— BZ-2RN702	1/8HP 125 VAC, 1/4HP 250 VAC	ANGLES ±
	1/2A 125 VDC, 1/4A 250 VDC	WEIGHT .71 LB
	CE 1.5A, 240 Vac	

NOTE

- 1 - FURNISHED UNASSEMBLED
- 2 - ROLLER LEVER BRACKET ASSEMBLY MAY BE SET AT ANY POSITION AROUND AXIS OF PLUNGER
- 3 - 3X 6-32 UNC X (.219) BINDING HEAD TERMINAL SCREW AND CUPWASHER
- 4 - SEAL RATING: NEMA 1,3 IP54

ANSI Y14.5M-1982 APPLIES